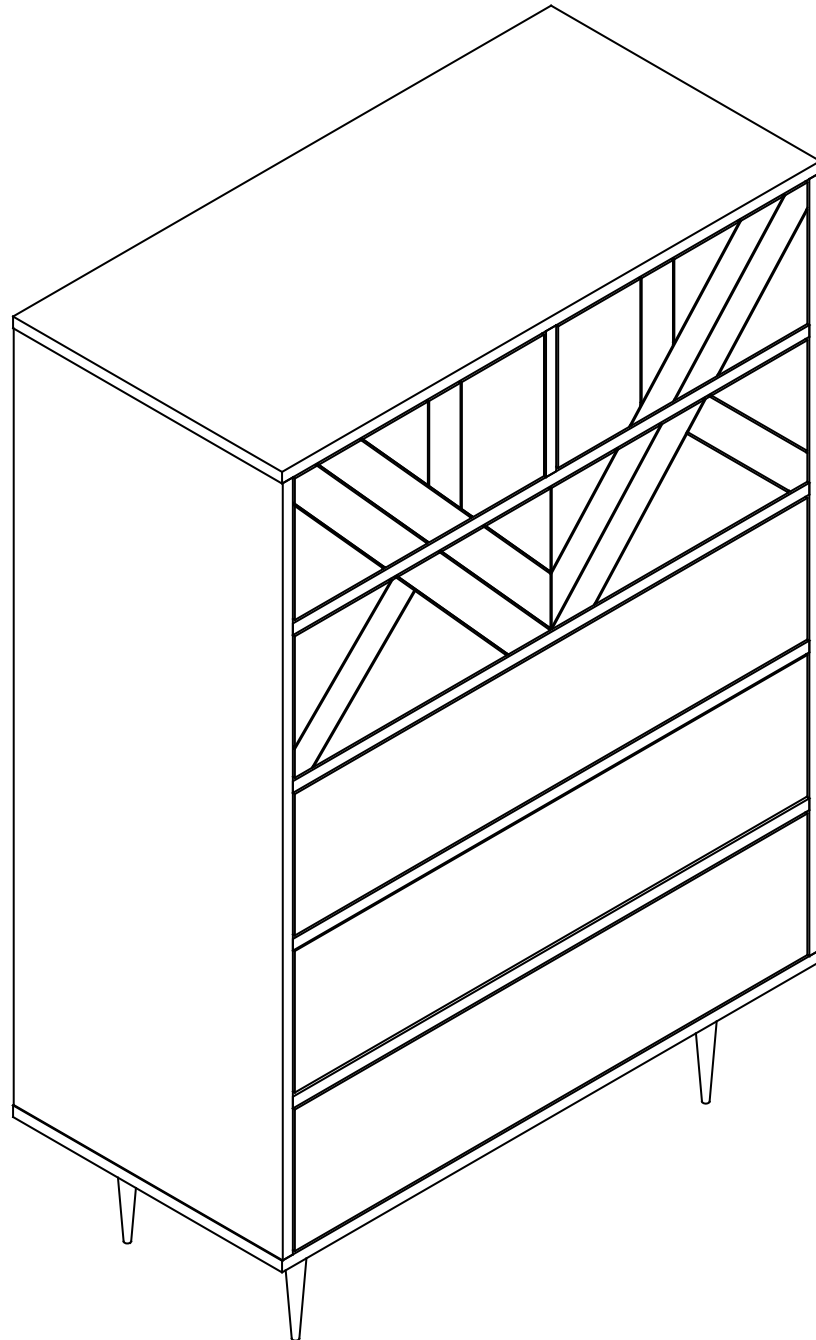


Zara

Tallboy

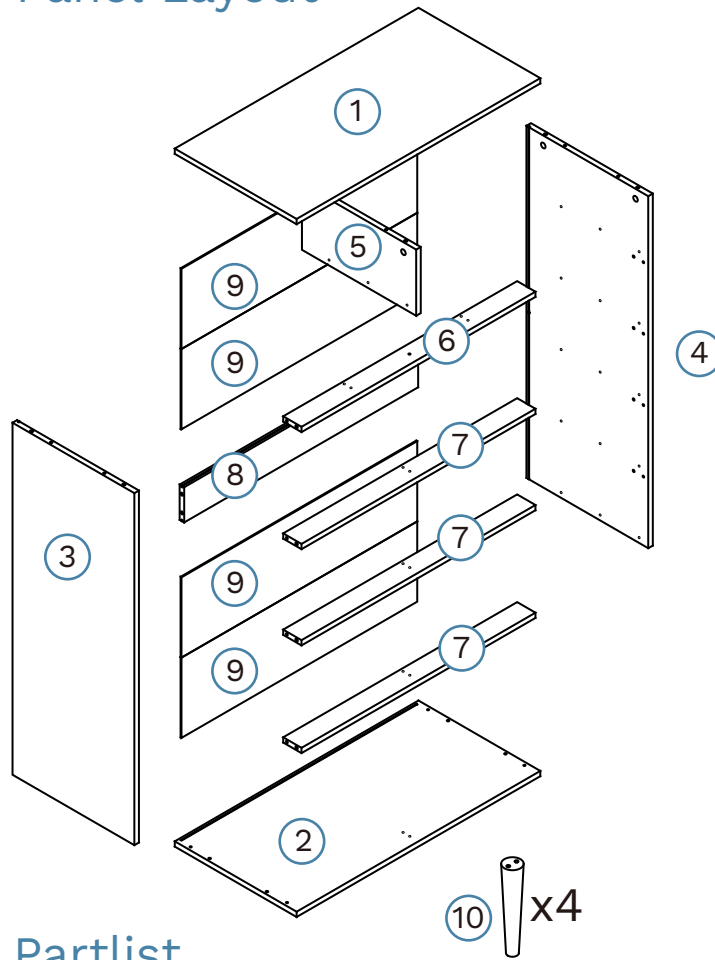
Thank you for your purchase. Please follow the instructions for correct assembly. While we took great effort to ensure these assembly instructions were correct at the time of printing, sometimes updates are required post production. For the most up to date versions please refer to the product page on our website. mocka.com.au/mocka.co.nz



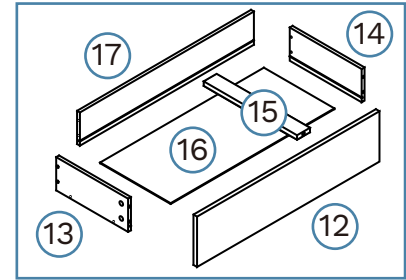
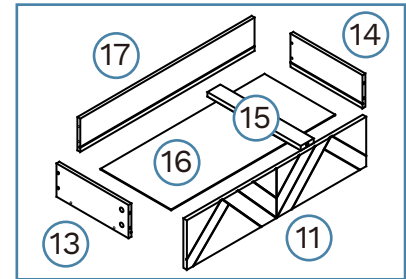
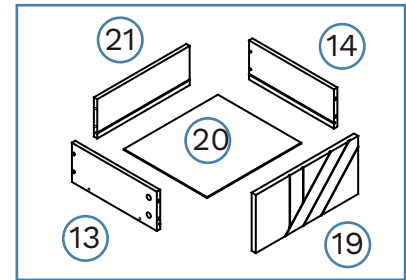
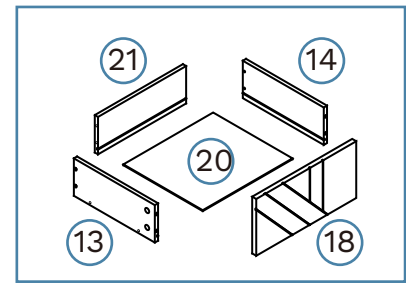
Zara

Tallboy

Panel Layout



Partlist














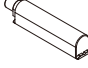

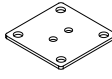





x3



①	Top Panel	x1	⑫	Drawer Front	x3
②	Bottom Panel	x1	⑬	Left Drawer Side	x6
③	Left Side Panel	x1	⑭	Right Drawer Side	x6
④	Right Side Panel	x1	⑮	Rail	x4
⑤	Divider	x1	⑯	Drawer Base	x4
⑥	Rail	x1	⑰	Drawer Back	x4
⑦	Rail	x3	⑱	Drawer Front	x1
⑧	Rail	x1	⑲	Drawer Front	x1
⑨	Back Panel	x4	⑳	Drawer Base	x2
⑩	leg	x4	㉑	Drawer Back	x2
⑪	Drawer Front	x1			

Zara

Tallboy

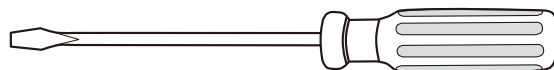
A	B	C	D	E	CL	CR	DL	DR	
									
dowel x 18	screw x 5	bolt x 46	locking nut x 46	screw x 78	slide rail x 6	slide rail x 6	slide rail x 6	slide rail x 6	
J	K	L	M	N	O	P	Q	R	S
									
wedge x 8	screw x 8	felt pad x 4	bracket x 6	cover x 6	seal x 6	bracket x 4	bolt x 16	screw x 36	allen key x 1

HARDWARE SUPPLIED

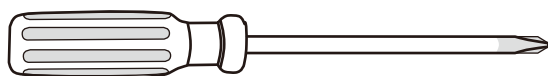
V	W	X	Y	Z
				
safety strap x 1	screw x 1	wall anchor x 1	wall screw x 1	washer x 2

WALL STRAP

WARNING: Any furniture that is not anchored to a wall has the potential to tip over in certain circumstances, i.e. if a child attempts to climb up on the furniture or in the event of an earthquake. Accordingly, we recommend that all furniture is anchored to a wall. We supply a free safety wall anchor with all furniture sold and we recommend these are used to prevent your product tipping. The fixing device provided should fit most wall types, but please note that different wall materials may require different fixing devices from those supplied.



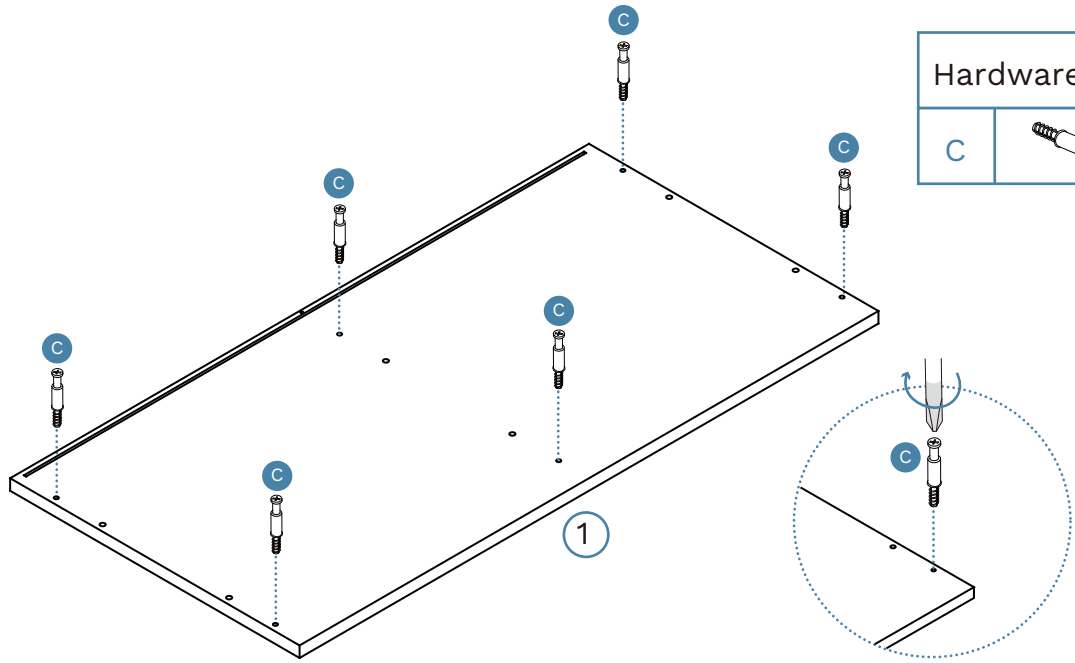
Phillips & Flathead screwdrivers required




For quicker assembly, we recommend the use of a power drill on a low-speed setting.

Zara Tallboy

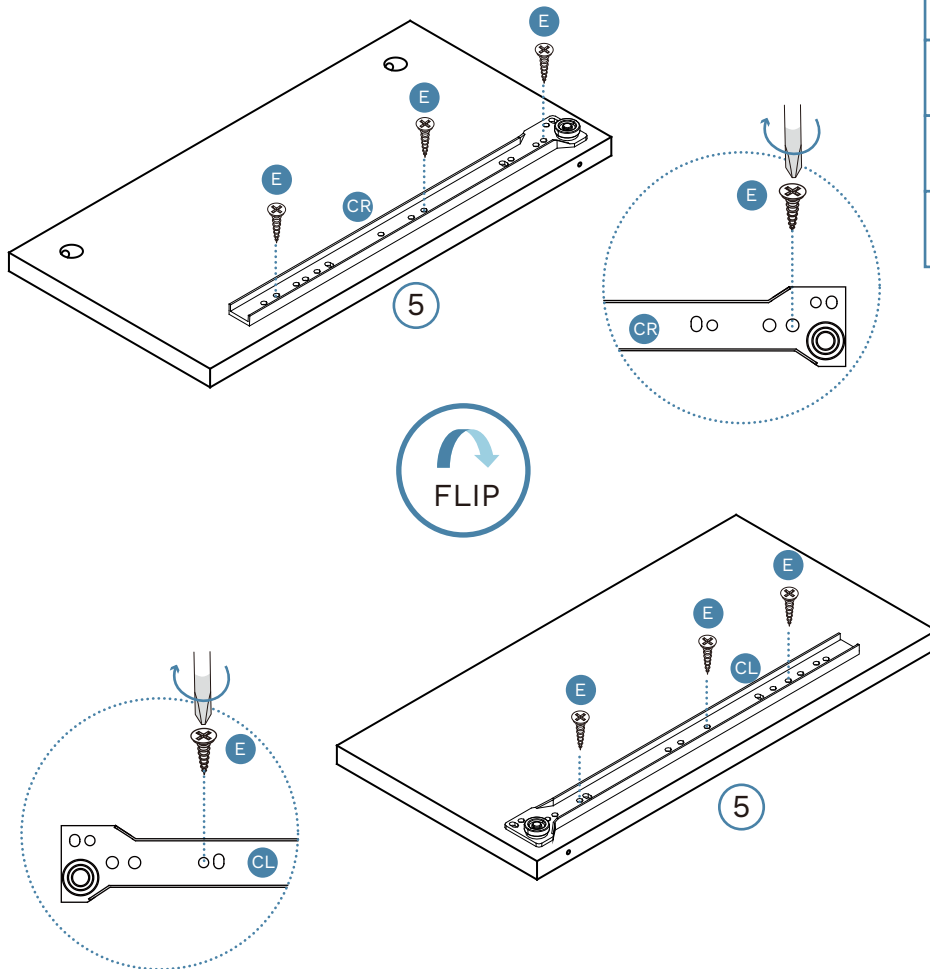
1






Hardware Needed

C		x6
---	---	----

2

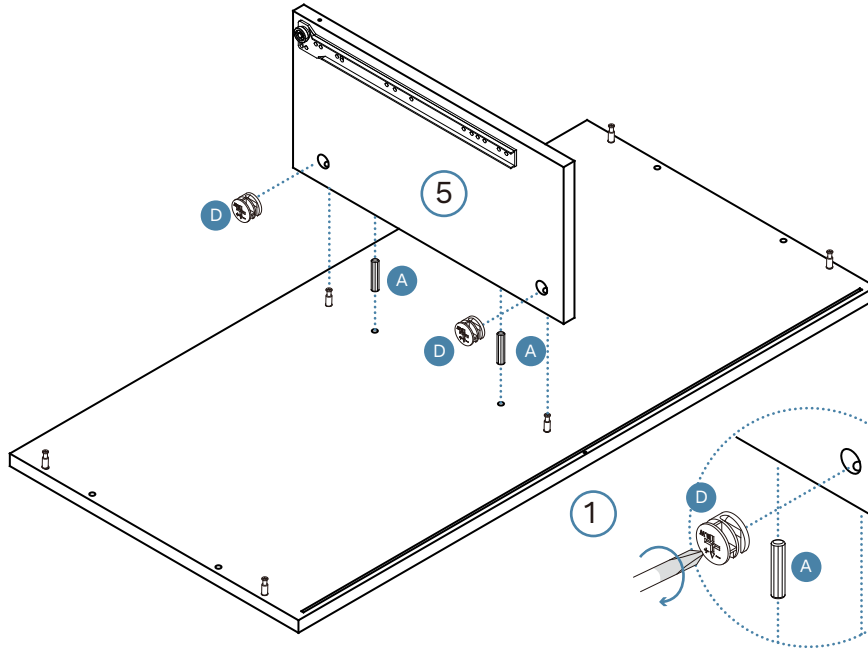


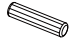

Hardware Needed

E		x6
CL		x1
CR		x1

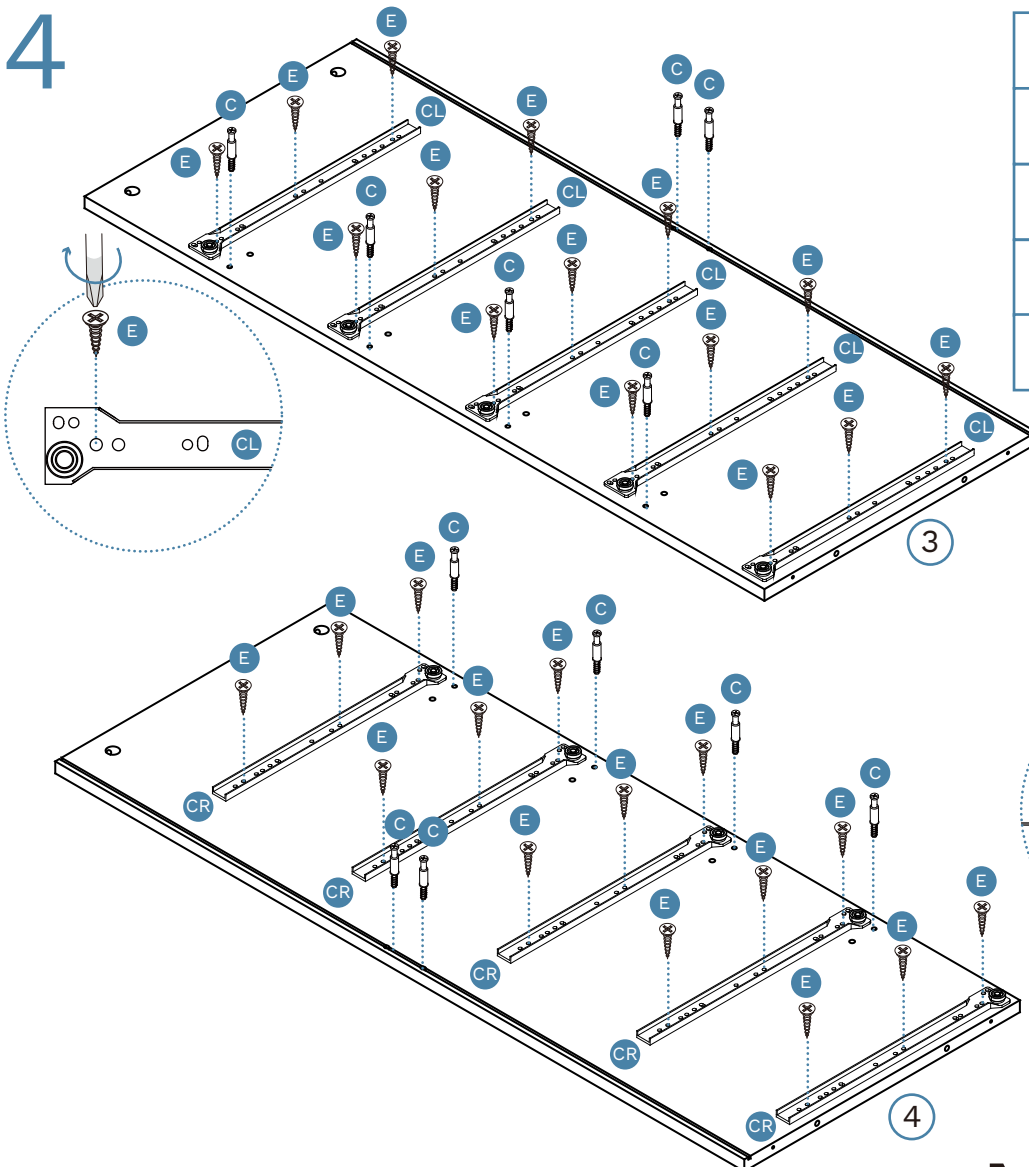
Zara
Tallboy





3



Hardware Needed		
A		x2
D		x2

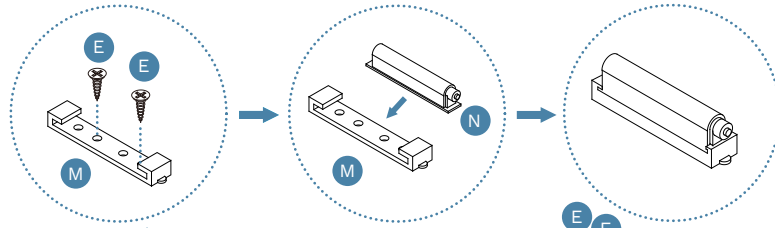
4



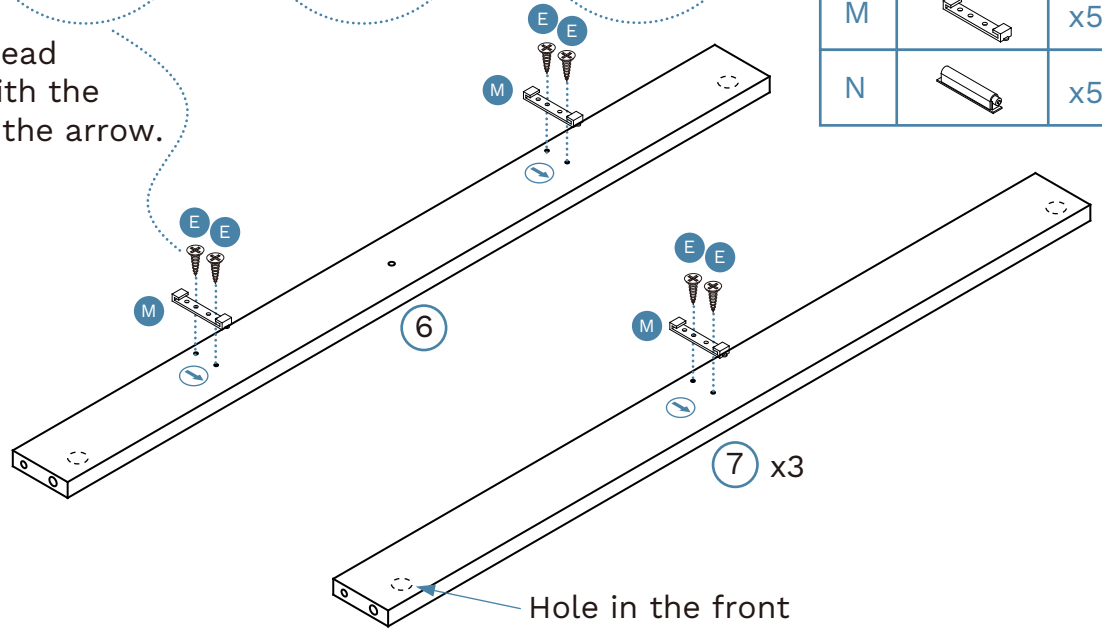
Hardware Needed		
C		x12
E		x30
CL		x5
CR		x5

Zara Tallboy

5



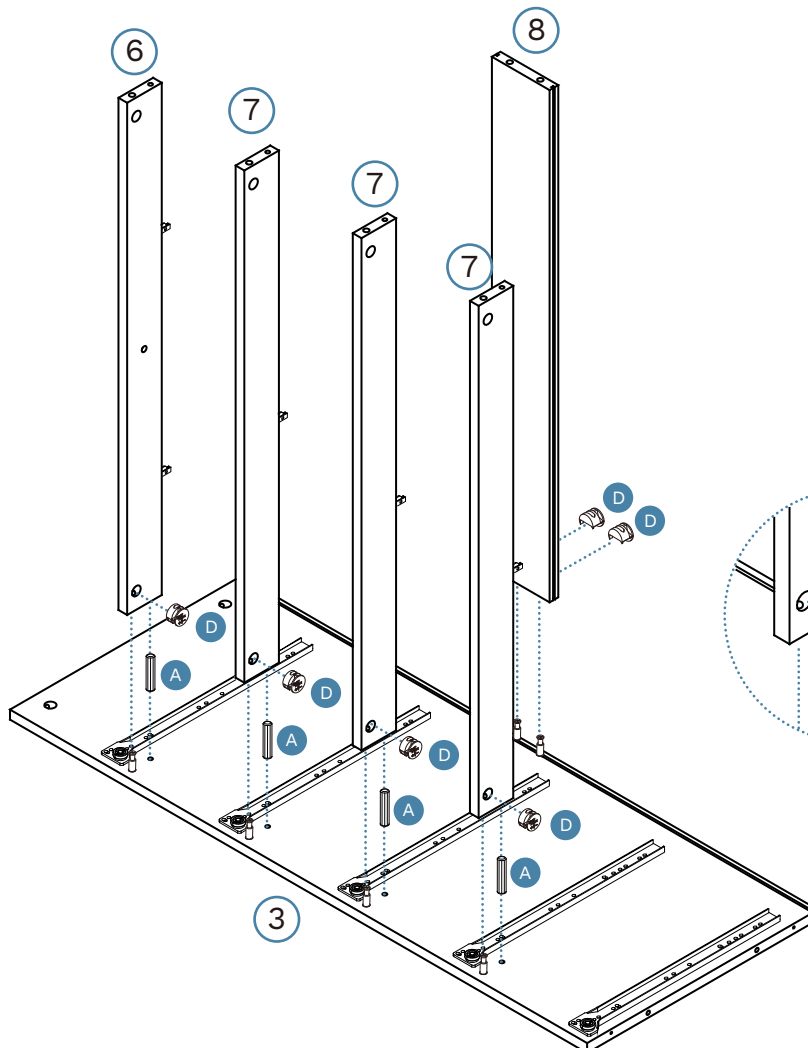
The round head is aligned with the direction of the arrow.



Hardware Needed

E		x10
M		x5
N		x5

6

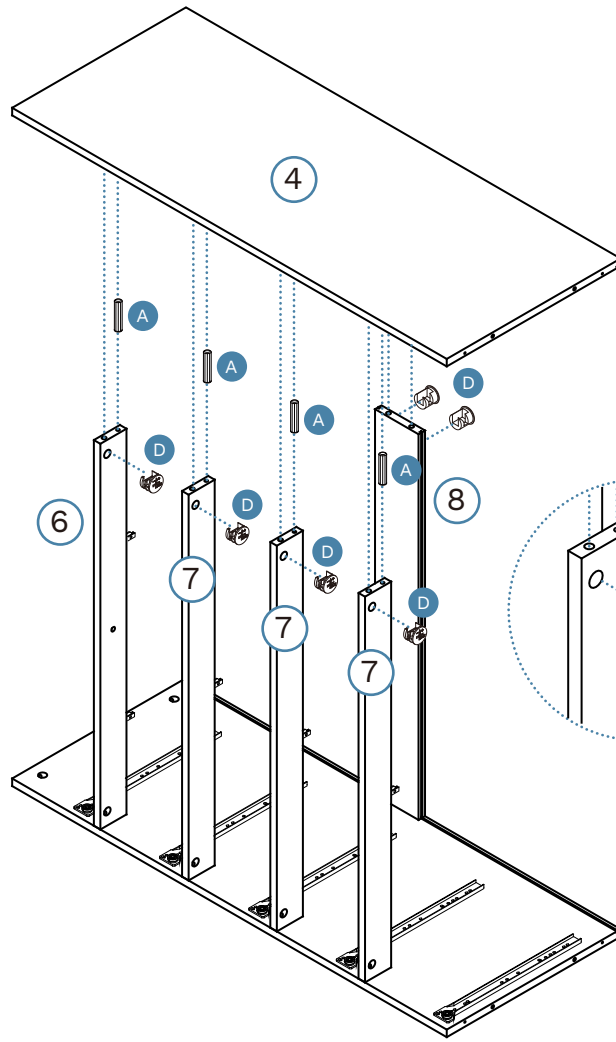




Hardware Needed

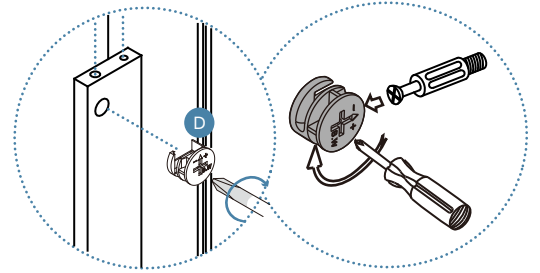
A		x4
D		x6

Zara
Tallboy

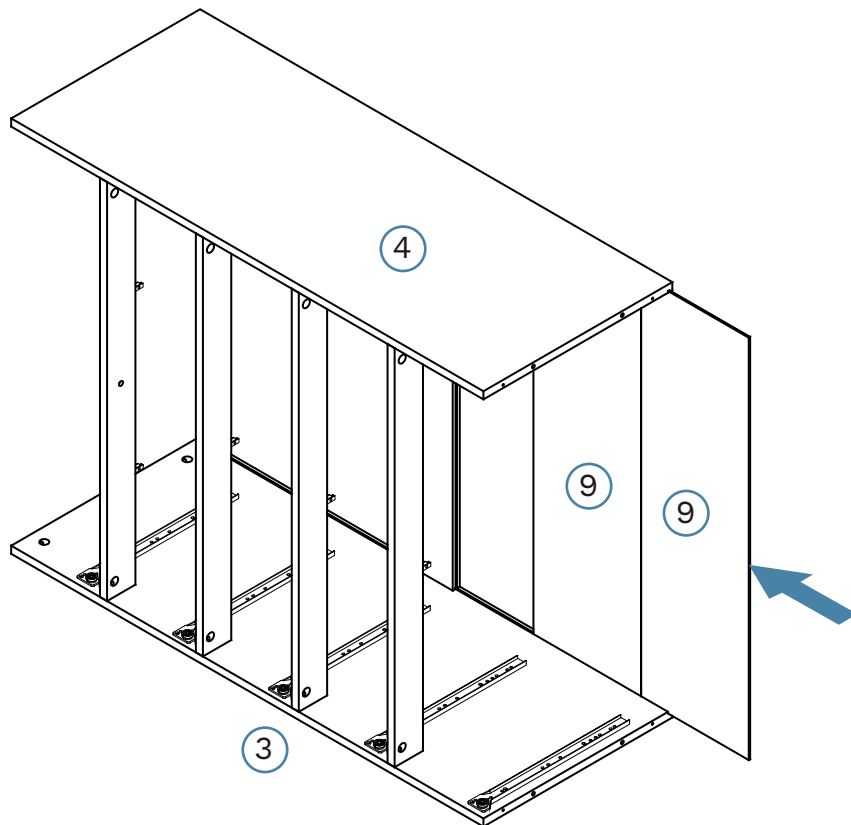
7



Hardware Needed		
A		x4
D		x6

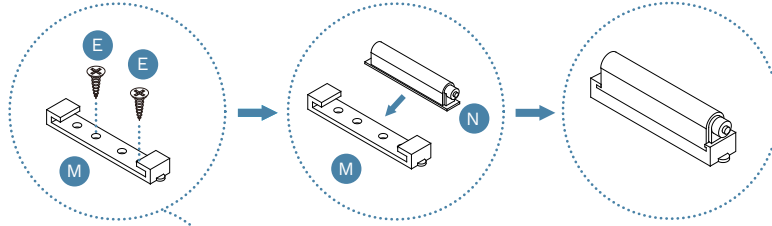



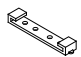
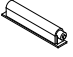
8



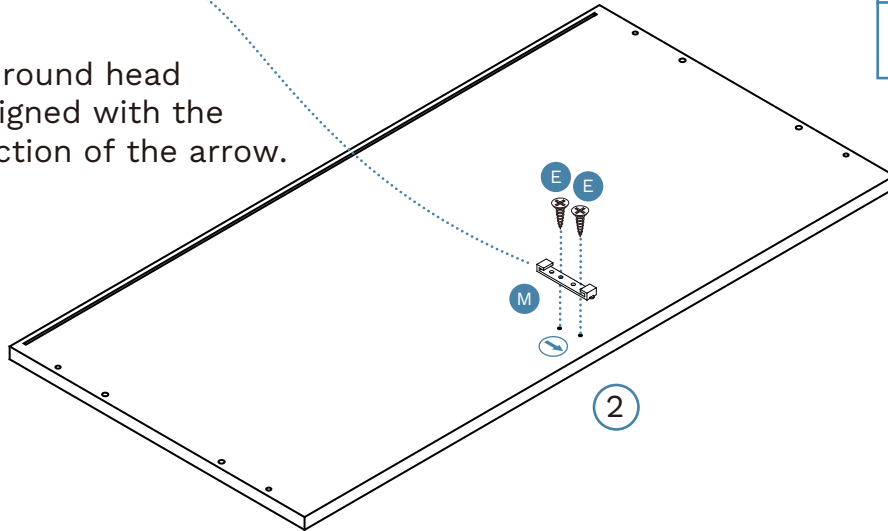
Zara
Tallboy

9

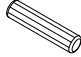



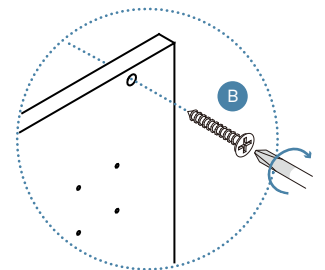
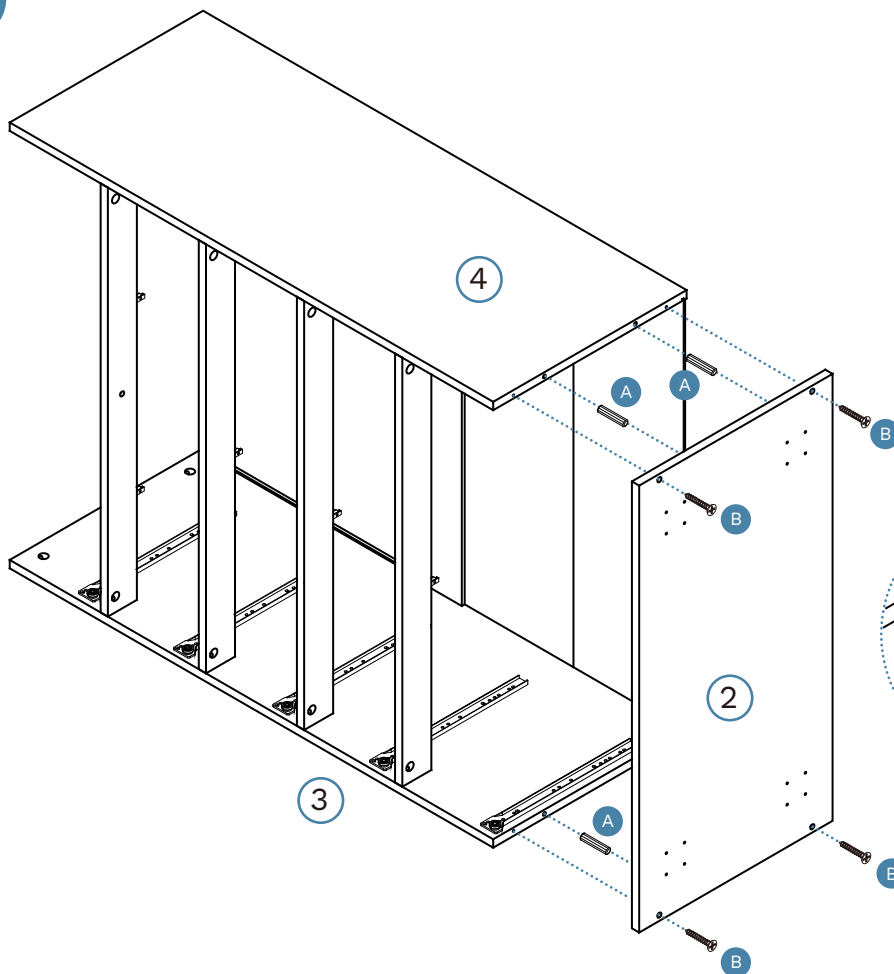
Hardware Needed		
E		x2
M		x1
N		x1

The round head is aligned with the direction of the arrow.



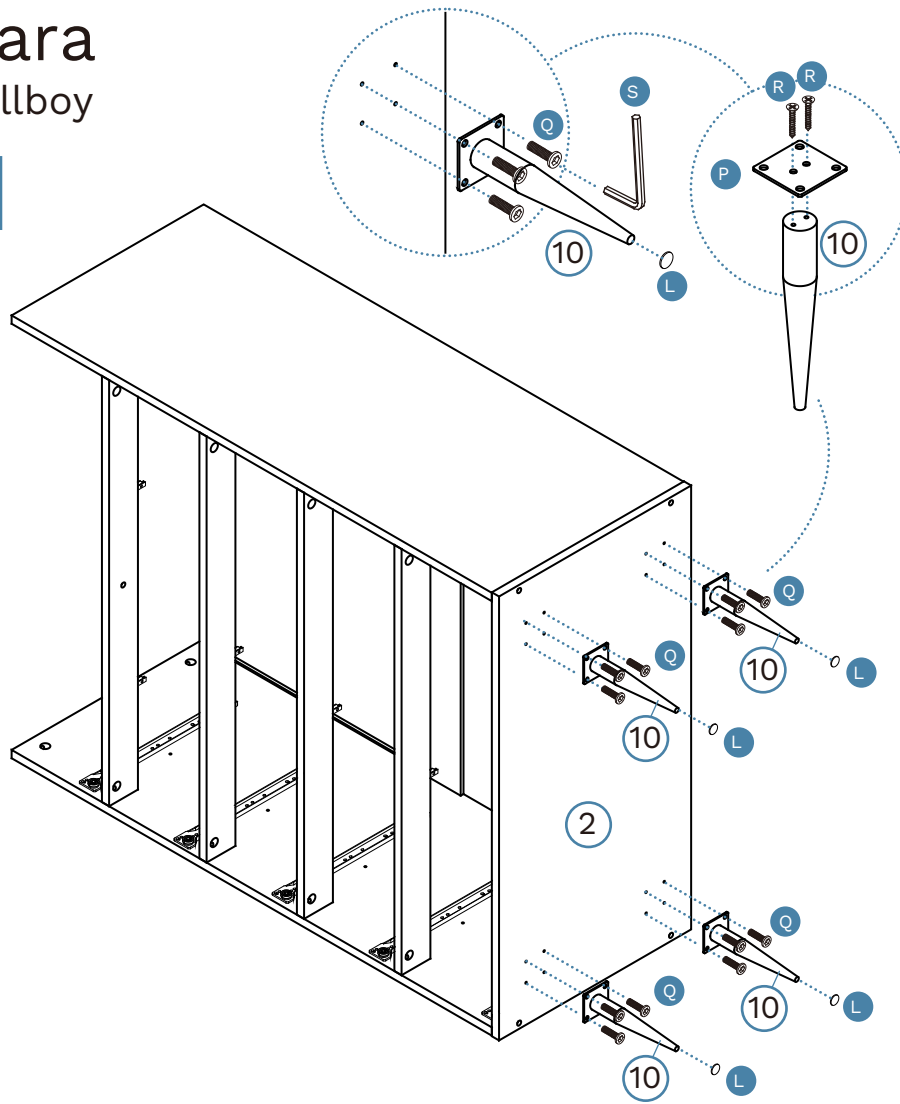
10

Hardware Needed		
A		x4
B		x4

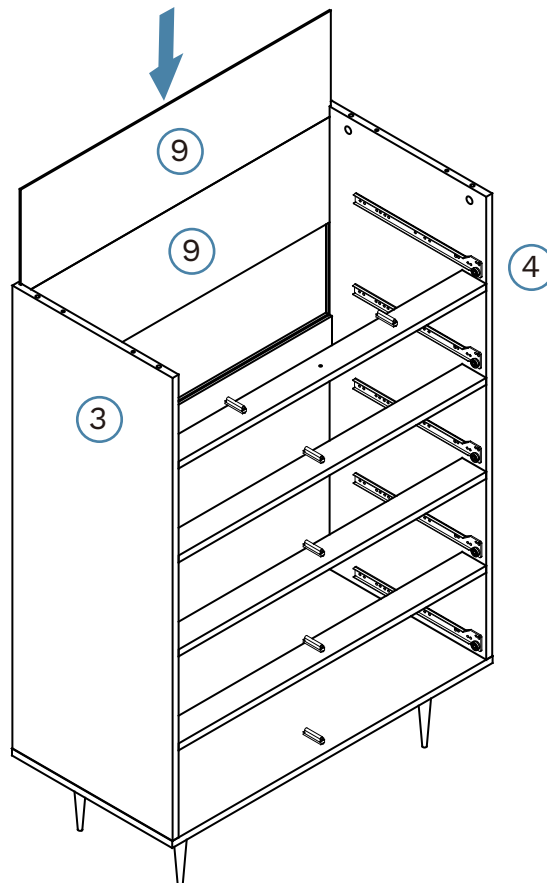


Zara
Tallboy

11

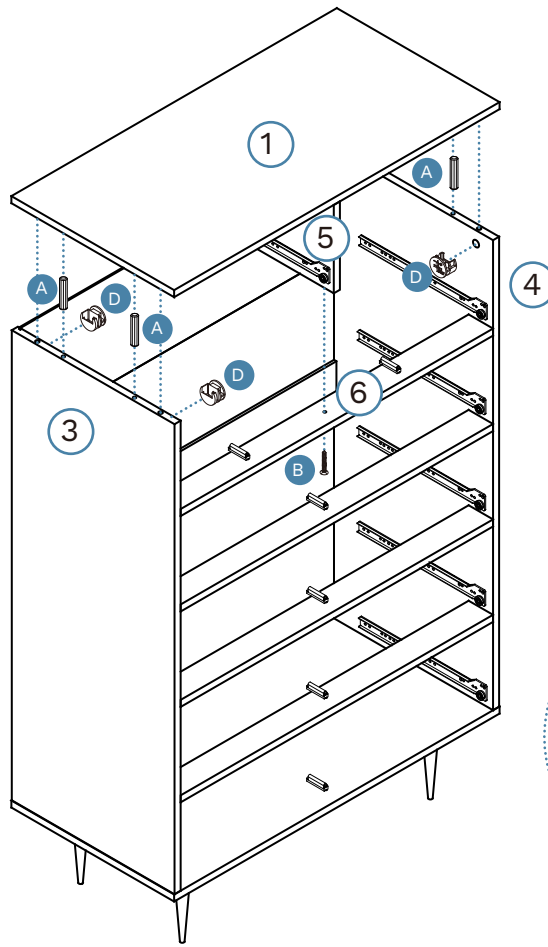


12

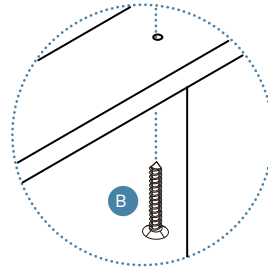
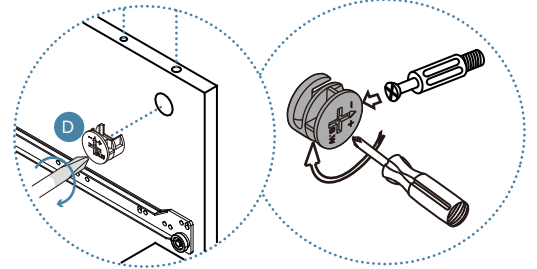


Zara
Tallboy

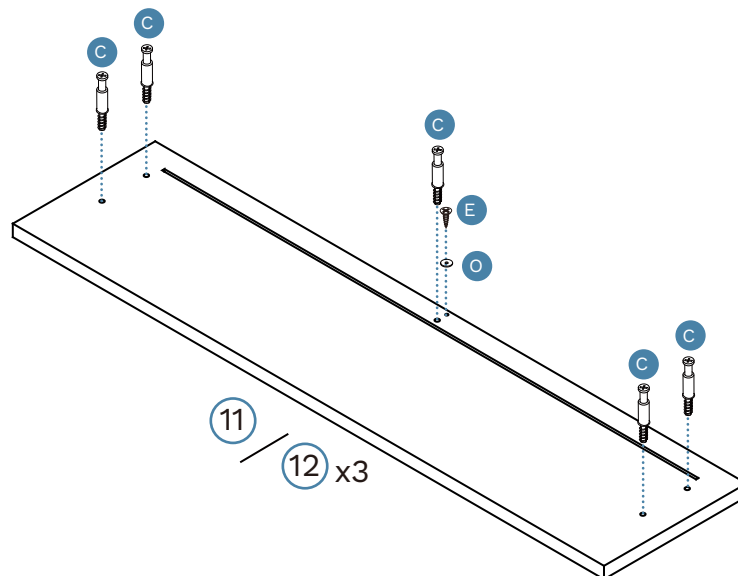
13



Hardware Needed		
A		x4
B		x1
D		x4




14 Drawer x4

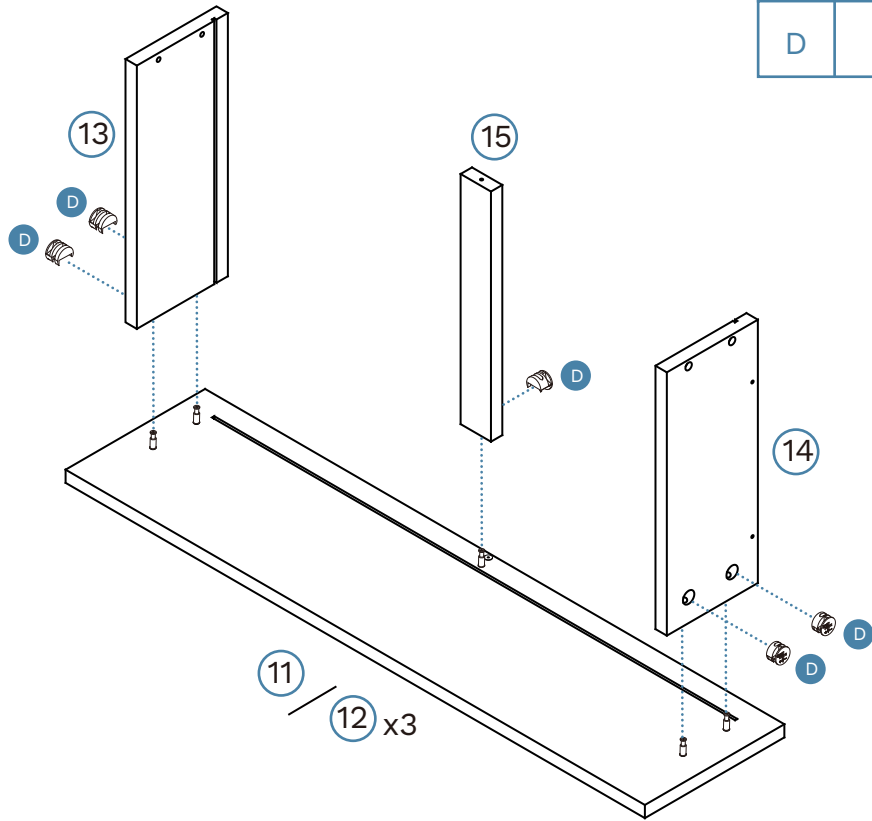


Hardware Needed		
C		x20
E		x4
O		x4

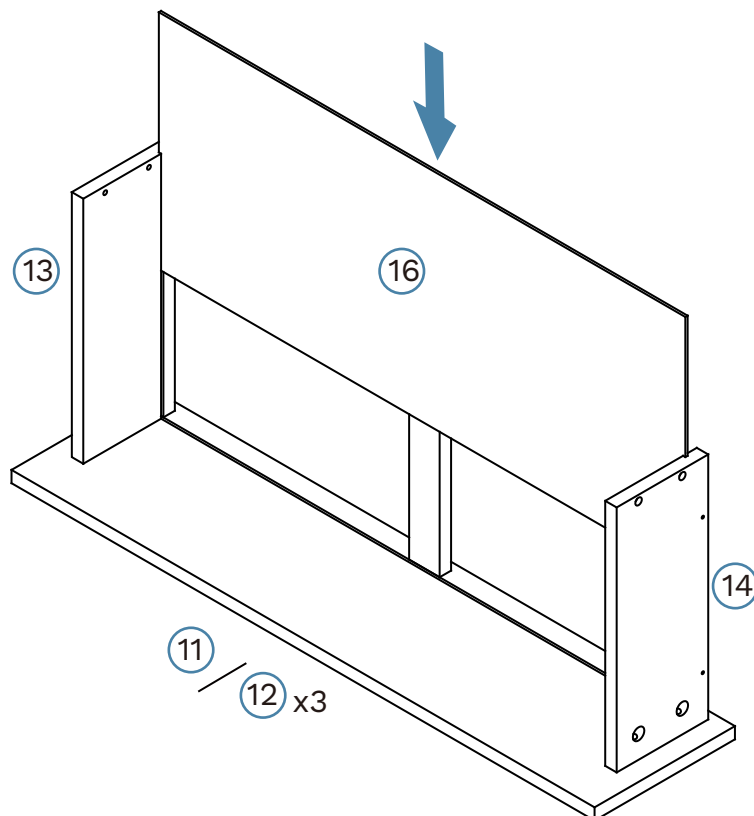
Zara
Tallboy

15 Drawer x4

Hardware Needed		
D		x20

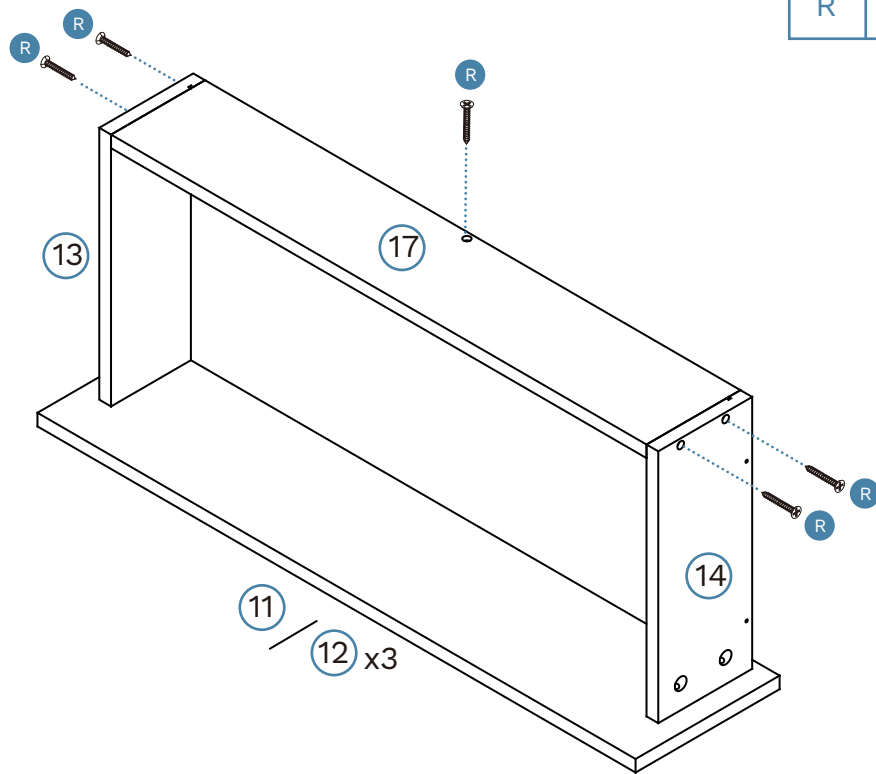


16 Drawer x4



Zara
Tallboy

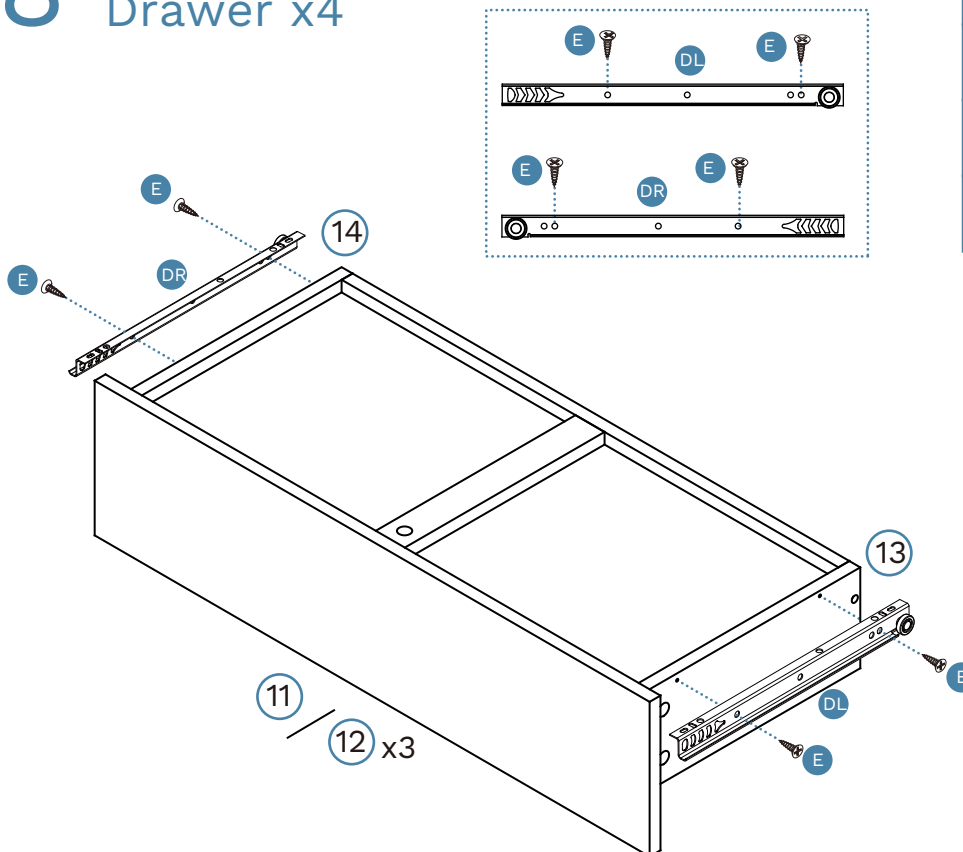
17 Drawer x4






Hardware Needed

R		x20
---	---	-----

18 Drawer x4

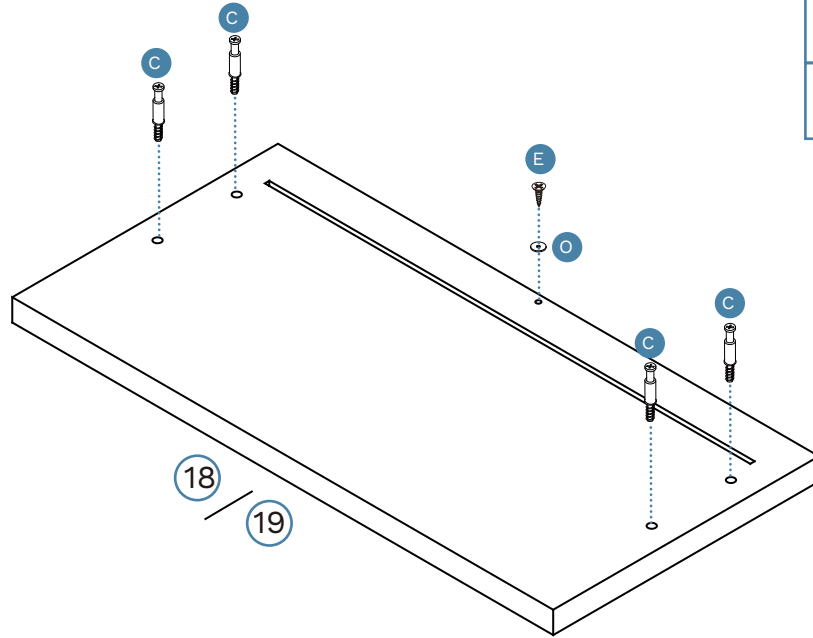





Hardware Needed

E		x16
DL		x4
DR		x4

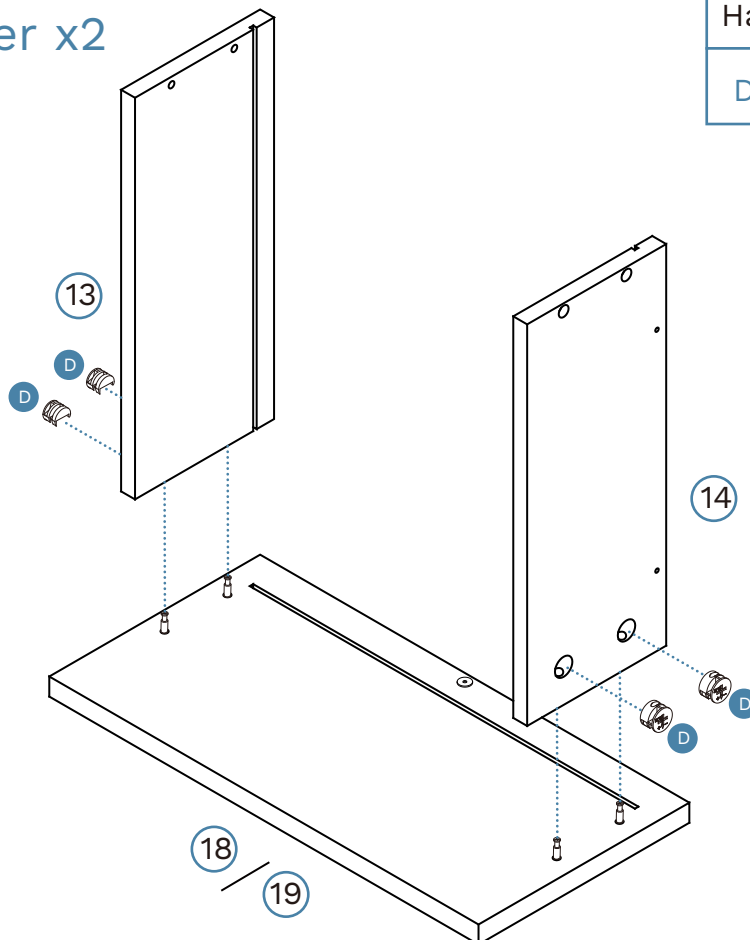
Zara
Tallboy


19 Drawer x2



Hardware Needed		
C		x8
E		x2
O		x2

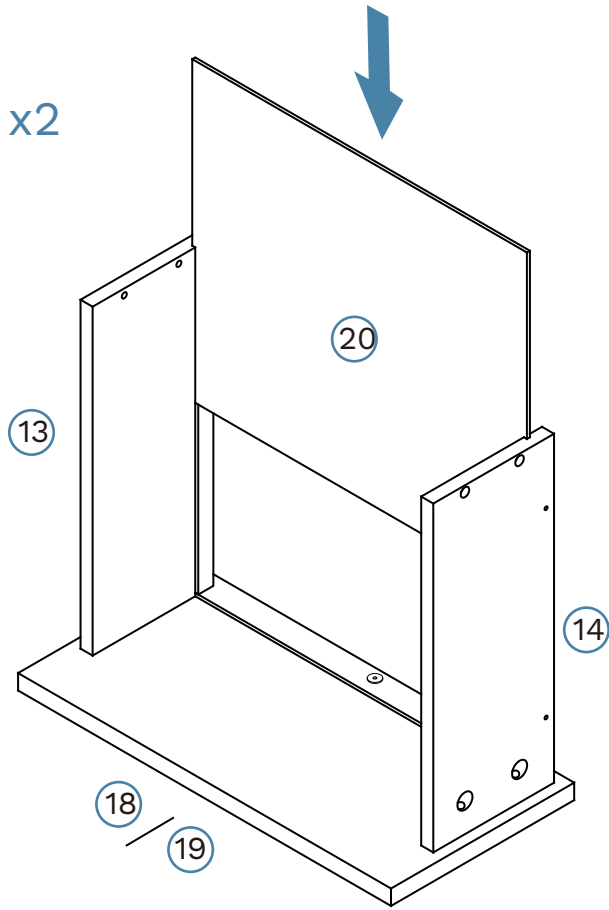
20 Drawer x2




Hardware Needed		
D		x8

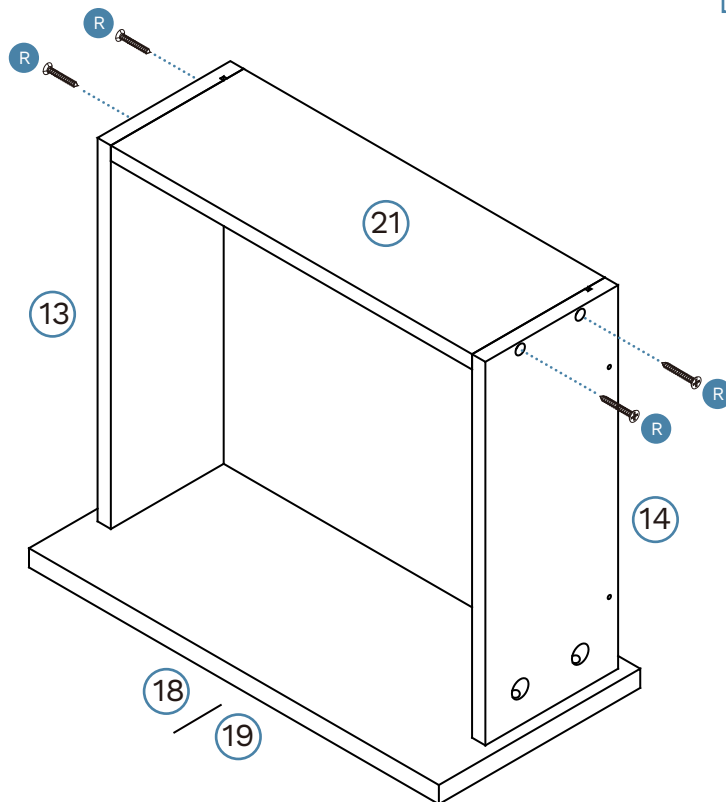
Zara
Tallboy

21 Drawer x2



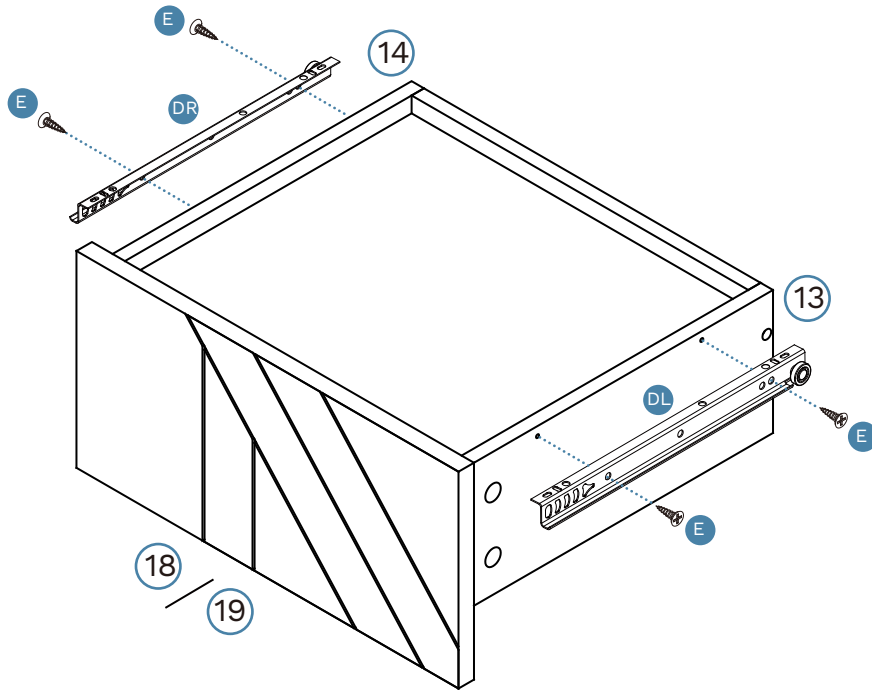
22 Drawer x2

Hardware Needed		
R		x8

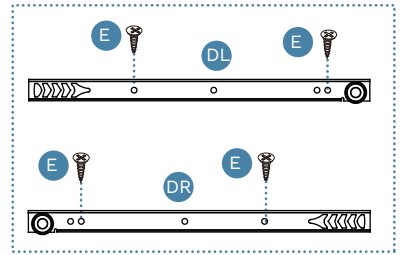


Zara
Tallboy

23 Drawer x2

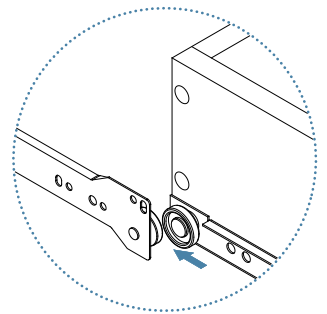
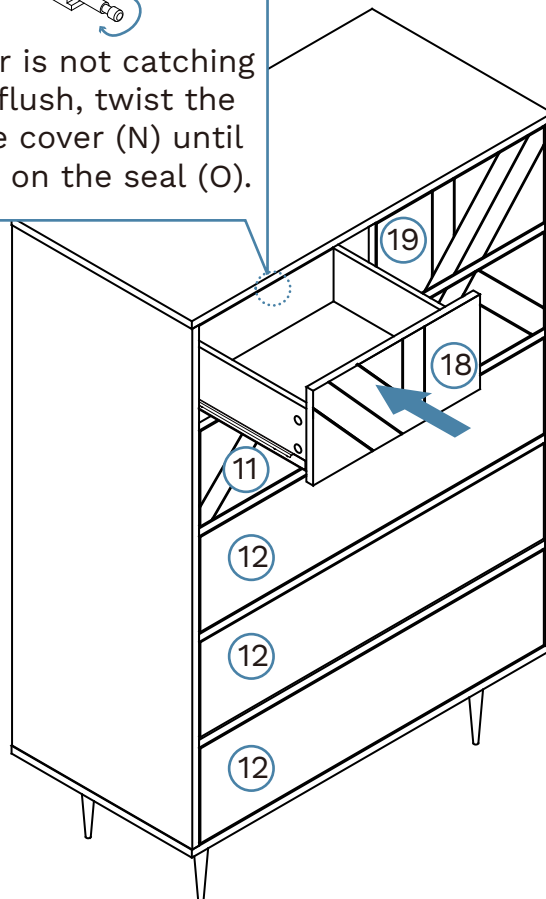


Hardware Needed		
E		x8
DL		x2
DR		x2



24

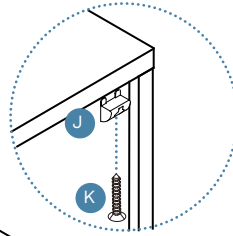
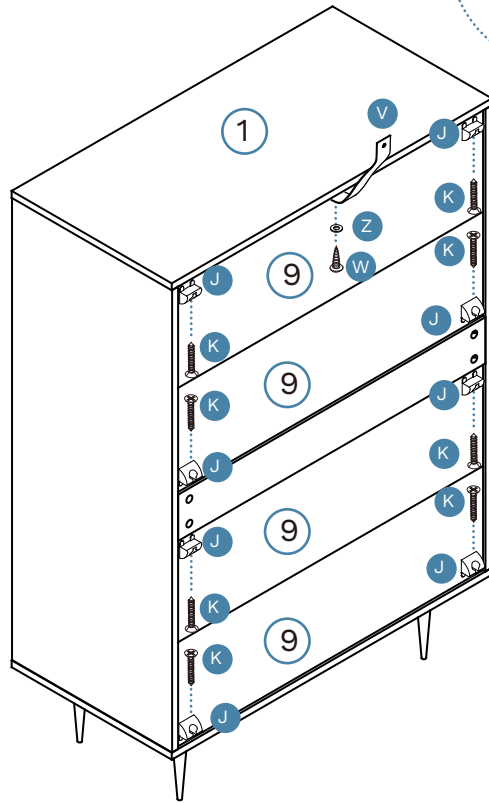
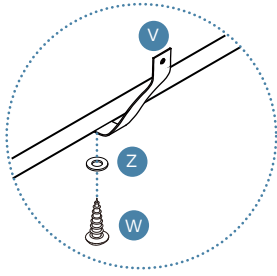
If the door is not catching or sitting flush, twist the end of the cover (N) until it catches on the seal (O).



Carefully insert the drawers into the unit by gently guiding the runners into the tracks.

Zara
Tallboy

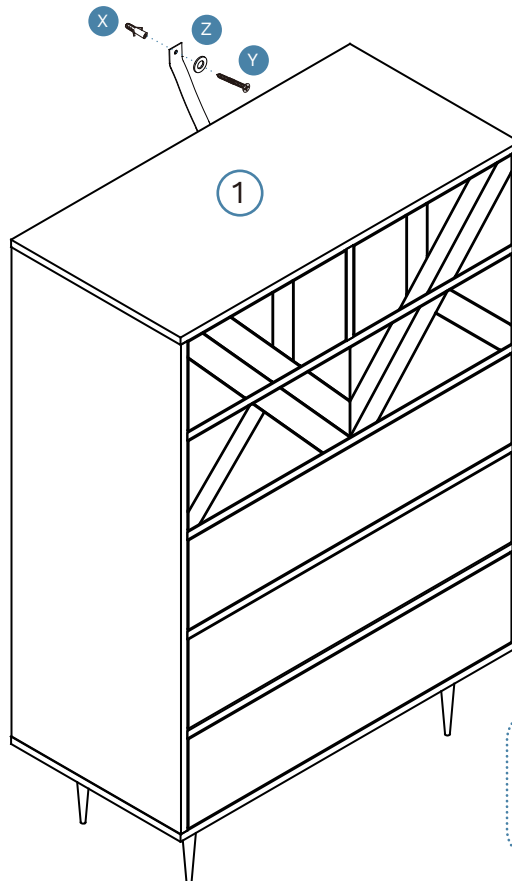
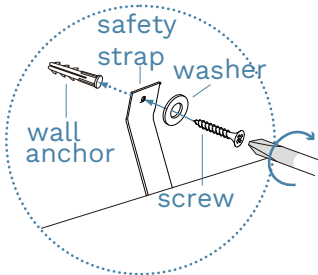
25



Hardware Needed

J		x8
K		x8
V		x1
W		x1
Z		x1

26



Hardware Needed

X		x1
Y		x1
Z		x1

Note: Seek advice from a qualified trades person on how to attach this safety strap to your specific wall.

Once assembled lift furniture into place, do not drag. You're done, enjoy!